

# INFO

4/2017

[www.alcaplast.com](http://www.alcaplast.com)



**NEW**

Shower drain APZ13 Modular

Shower drain APZ16 Wall

New prismatic grid

**CONTENT**

**TRADE FAIR ISH, GERMANY ..... 3**



**NEW LINEAR SHOWER DRAINS**

Shower drain **APZ13 Modular** ..... 4  
 Shower drain **APZ16 Wall** ..... 9  
 Prismatic grid **GAP** ..... 13

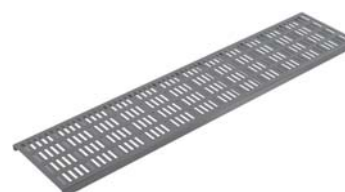


**NEW HEIGHT OF MOUNTING FRAMES  
1120 MM ..... 14**



**NEWS**

Prolonged legs **P118** for pre-wall installation systems ..... 21  
 Cover plate for pre-wall installation systems **P120**. .... 22  
 Cover gratings for industrial drains **APR1-1134, APR1-1234** ..... 23



**NEW PRINTED AND DOWNLOAD MATERIALS**

Product catalogue ..... 24  
 Spare part catalogue ..... 24



# Trade Fair ISH, Frankfurt am Main, Germany, 14<sup>th</sup> to 18<sup>th</sup> of March 2017



**NEW**

4

## Stainless steel shower drain APZ13 Modular



### Adjustable drain height

Individually adjustable anchor legs ensure trouble free installation, even when faced with significant inequalities in different parts of the underlying surface.



### Drain from one piece of steel plate, rounded edges

Every body of ALCA shower drains is precisely rounded using the latest technology. Thanks to this, the drains are very pleasant to touch and even enhance the pleasant experience of everyday showering. Moreover, their design housing will satisfy your aesthetic needs.



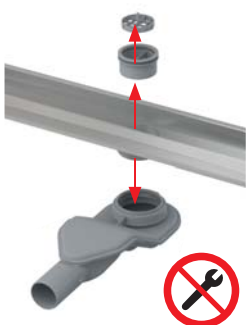
### Safety locks

The developed mechanism provides maximum sealing, which guarantees maximum safety during installation and long-term functionality in everyday use.



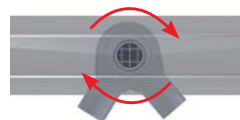
### Inner slope of the drain body

We are introducing the new solution of the inner downward slope, which ensures maximum water flow rate. At the same time it also simplifies manual cleaning.



### Cleanable waste and trap

Wet odour trap is fitted with a screen that catches hair and other debris. Moreover, the system is easily removable for a perfect trap cleaning, allowing zero usage of chemicals. Waste pipe cleaning allows usage of standard tools for stretching clogged pipes.



### Rotary trap

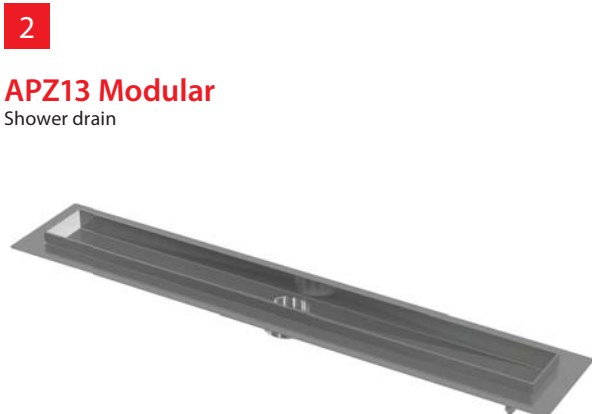
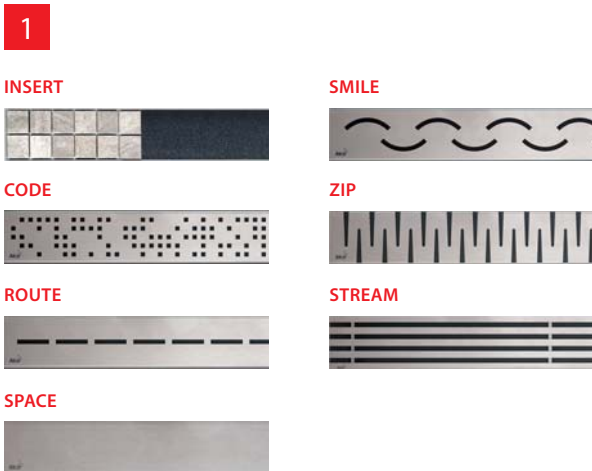
Horizontal rotary trap provides unlimited possibilities for drain pipe connection in all directions. In addition, you do not need any other add-on fittings during the installation.

**NEW**

5

# Stainless steel shower drain APZ13 Modular

Stainless steel shower drain APZ13 was designed as a modular product according to current standards in West European markets. There are three length variants with three optional waste traps and seven grids. The grid offer includes stainless steel perforated and full grids, grid for embedding tiles and prismatic grid.

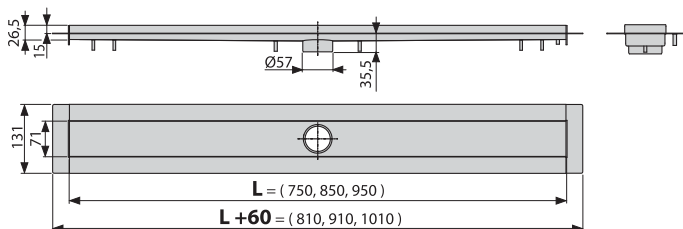


**NEW**

6

## APZ13 Modular

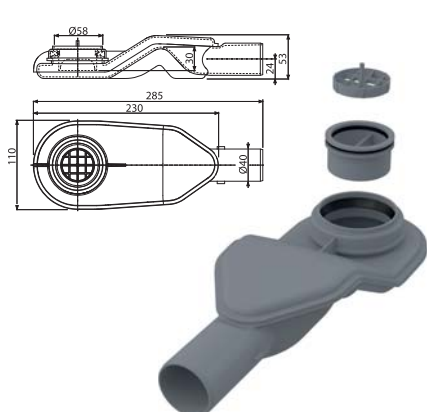
Shower drain



Quantity (packing) APZ13-850	20 pcs
Dimensions (piece)	940×156×84 mm
Weight (piece)	2,0398 kg
EAN	8595580551520

## APZ-S6

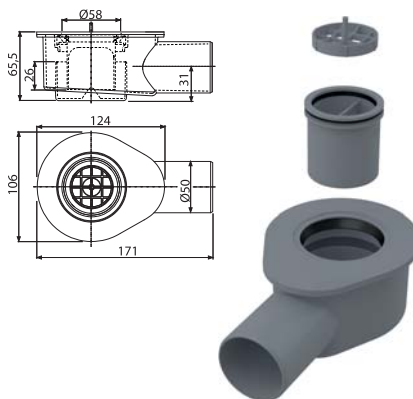
Extra-low trap DN40 and set of adjustable legs



Quantity (packing) APZ-S6	36 pcs
Dimensions (piece)	292×124×71 mm
Weight (piece)	0,4983 kg
EAN	8595580551599

## APZ-S9

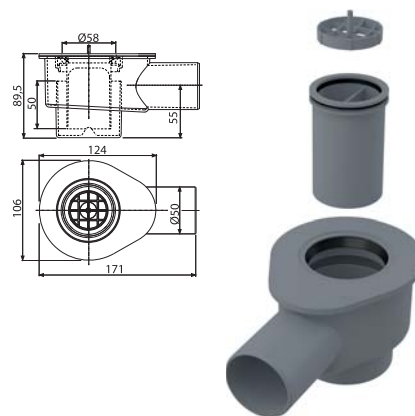
Low trap DN50 and set of adjustable legs



Quantity (packing) APZ-S9	28 pcs
Dimensions (piece)	253×118×100 mm
Weight (piece)	0,4842 kg
EAN	8595580551605

## APZ-S12

Trap DN50 and set of adjustable legs



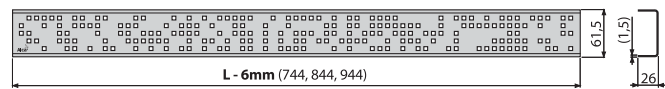
Quantity (packing) APZ-S12	28 pcs
Dimensions (piece)	253×118×100 mm
Weight (piece)	0,5192 kg
EAN	8595580551612

**NEW**

7

**CODE**

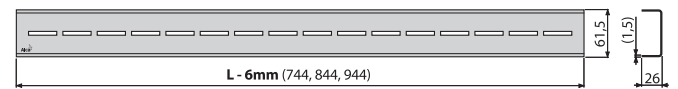
Grid for shower drain, stainless steel-polished



Quantity (packing) <b>CODE-850L</b>	1 pcs
Dimensions (piece)	855×76×40 mm
Weight (piece)	1,2047 kg
EAN	8595580551971

**ROUTE**

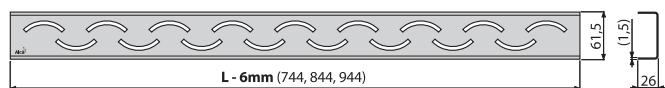
Grid for shower drain, stainless steel-polished



Quantity (packing) <b>ROUTE-850L</b>	1 pcs
Dimensions (piece)	855×76×40 mm
Weight (piece)	1,00 kg
EAN	8595580551841

**SMILE**

Grid for shower drain, stainless steel-polished



Quantity (packing) <b>SMILE-850L</b>	1 pcs
Dimensions (piece)	855×76×40 mm
Weight (piece)	0,97 kg
EAN	8595580551728

**ZIP**

Grid for shower drain, stainless steel-polished



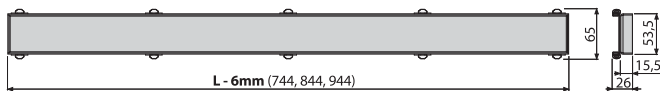
Quantity (packing) <b>ZIP-850L</b>	1 pcs
Dimensions (piece)	855×76×40 mm
Weight (piece)	0,91 kg
EAN	8595580552091

**NEW**

8

**INSERT**

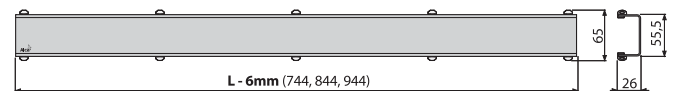
Grid for embedding tiles



Quantity (packing) <b>INSERT-850</b>	1 pcs
Dimensions (piece)	855×76×40 mm
Weight (piece)	1,4376 kg
EAN	8595580552657

**SPACE**

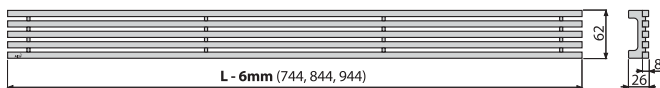
Grid for shower drain, stainless steel-matt



Quantity (packing) <b>SPACE-850M</b>	1 pcs
Dimensions (piece)	855×76×40 mm
Weight (piece)	0,9273 kg
EAN	8595580552237

**STREAM**

Grid for shower drain, stainless steel-matt



Quantity (packing) <b>STREAM-850M</b>	1 pcs
Dimensions (piece)	855×76×40 mm
Weight (piece)	1,9604 kg
EAN	8595580553906



**NEW**

9

# APZ16 Wall, APZ116 Wall Low, APZ1016 Wall, APZ1116 Wall Low

Linear shower drain APZ16 Wall combines the benefits of the linear drain APZ6 for full grids and vertical fixed flange to the wall. Linear drain APZ16 is designed to be installed not only to the ground but also to the shower enclosure wall using a vertical fixed flange. It is then covered with a waterproof membrane and wall tiles. This ensures a better degree of water-proofing. Grading the floor towards the wall is also easier.

### COMPLETELY CLEANABLE TRAP

One odour trap is standard, but the ALCA linear shower drain utilizes a two-flow compartment system, with removable inlet parts. This creates a dual odour trap system that allows simple and complete cleaning of both compartments and the waste pipe.



### COMBINED ODOUR TRAP (OPTIONAL)



When water flows in, the flaps open and allow the water to drain out.

If water does not flow through the waste, the flaps remain closed and even when the water seal dries out they still prevent odours rising from the sewer.



### 8 LENGTH VARIANTS

300, 550, 650, 750, 850, 950, 1050, 1150 mm

65-95 mm

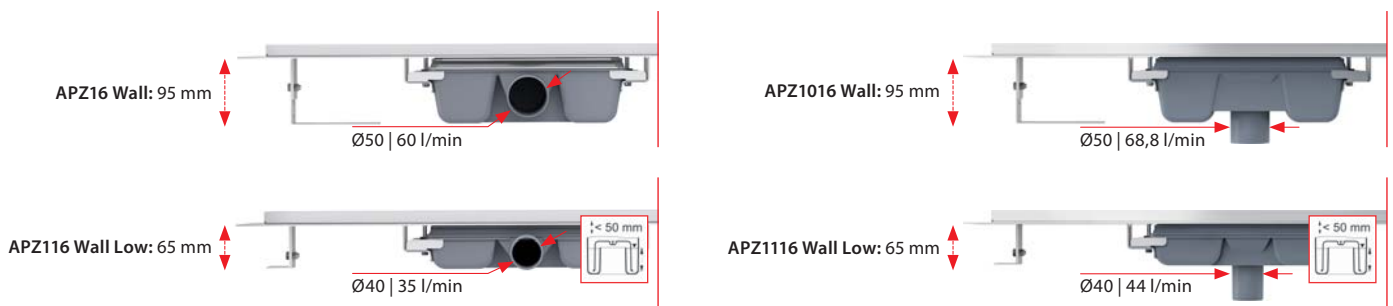
### FIXED FLANGE

The vertical water-proofing flange with a fixed distance of 15 mm from the drain body edge can suit wall tiles 6-12 mm in thickness.

### FLOW RATE UP TO 68.8 L / MIN

Linear shower drains APZ16 Wall, APZ116 Wall Low, APZ1016 Wall, APZ1116 Wall Low with the special dual compartment trap, ensure flow rates of up to 68,8 l/min. This guarantees that no flooding will occur in your bathroom even when using big format shower heads with a very high flow rate of water.

### LOW INSTALLATION HEIGHT



**NEW**

10

## Linear shower drain APZ16 Wall



- |                                  |                             |                                 |                             |
|----------------------------------|-----------------------------|---------------------------------|-----------------------------|
| <b>1</b> shower drain APZ16 Wall | <b>4</b> concrete screed    | <b>7</b> waterproofing material | <b>10</b> flexible filler   |
| <b>2</b> waste and trap          | <b>5</b> primer coat        | <b>8</b> adhesive               | <b>11</b> installation legs |
| <b>3</b> foundation slab         | <b>6</b> waterproofing tape | <b>9</b> tiles                  | <b>12</b> grid DESIGN       |

### Grids for linear shower drains APZ16 Wall, APZ116 Wall Low, APZ1016 Wall, APZ1116 Wall Low

**GAP** Stainless steel-matt



**POSH** Stainless steel-matt



**DESIGN** Stainless steel-polished / Stainless steel-matt



**DESIGN-ANTIC** Bronze-antic



**FLOOR** Grid for embedding tiles



**GL1200** Glass-white



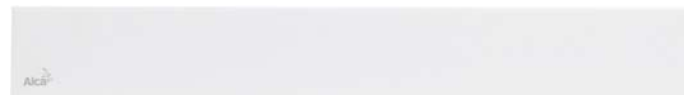
**GL1202** Glass-green



**GL1204** Glass-black



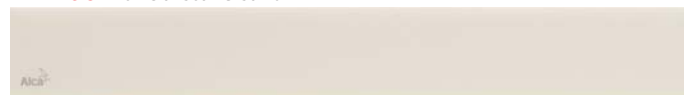
**MI1200** Artificial stone-white



**MI1205** Artificial stone-black



**MI1206** Artificial stone-sand



**MI1207** Artificial stone-granite

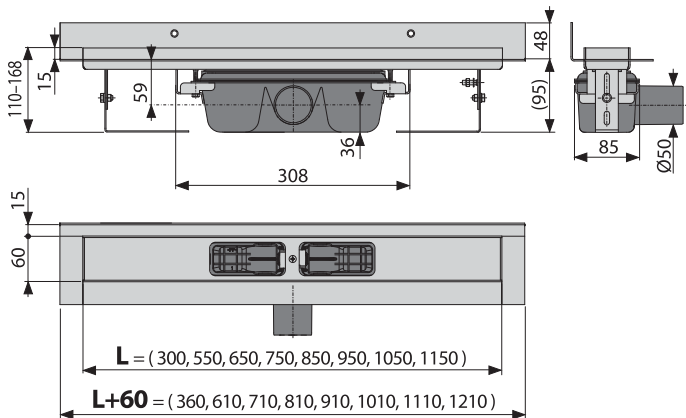


**NEW**

11

## APZ16 Wall

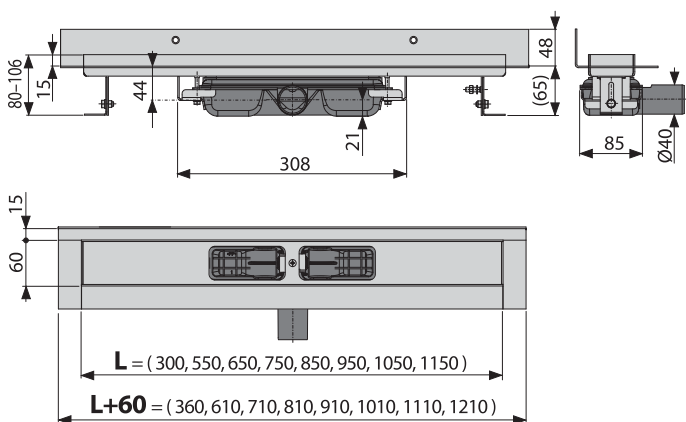
Shower drain with an edge for full grids and fixed vertical flange to the wall



Quantity (packing) APZ16-850	8 pcs
Dimensions (piece)	920×205×106 mm
Weight (piece)	4,4987 kg
EAN	8595580553050

## APZ116 Wall Low

Shower drain with an edge for full grids and fixed vertical flange to the wall



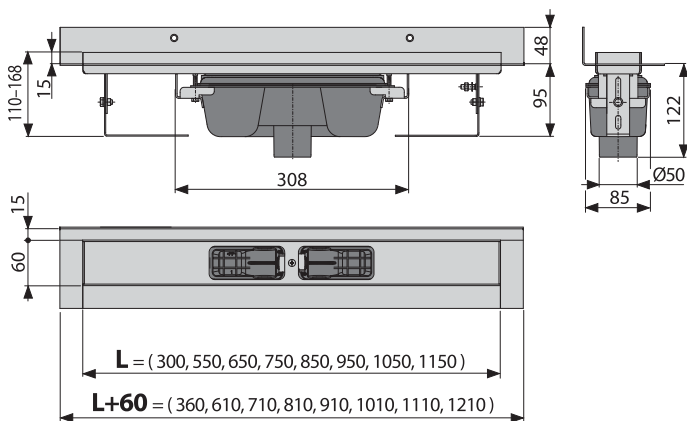
Quantity (packing) APZ116-850	8 pcs
Dimensions (piece)	920×205×160 mm
Weight (piece)	4,3785 kg
EAN	8595580553135

**NEW**

12

## APZ1016 Wall

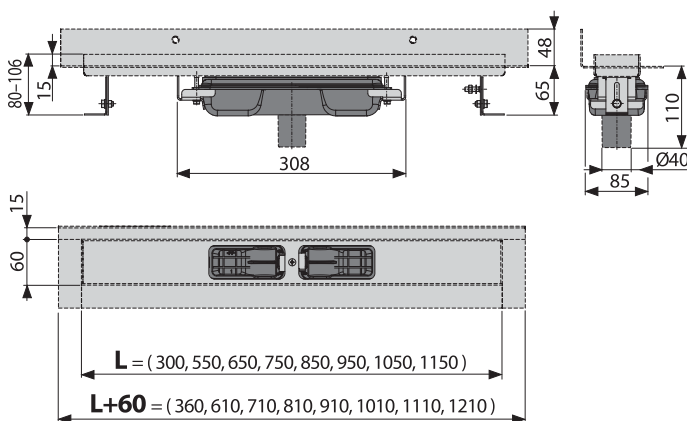
Shower drain with an edge for full grids and fixed vertical flange to the wall, straight outlet



Quantity (packing) APZ1016-850	8 pcs
Dimensions (piece)	920×205×160 mm
Weight (piece)	4,4933 kg
EAN	8595580553210

## APZ1116 Wall Low

Shower drain with an edge for full grids and fixed vertical flange to the wall, straight outlet



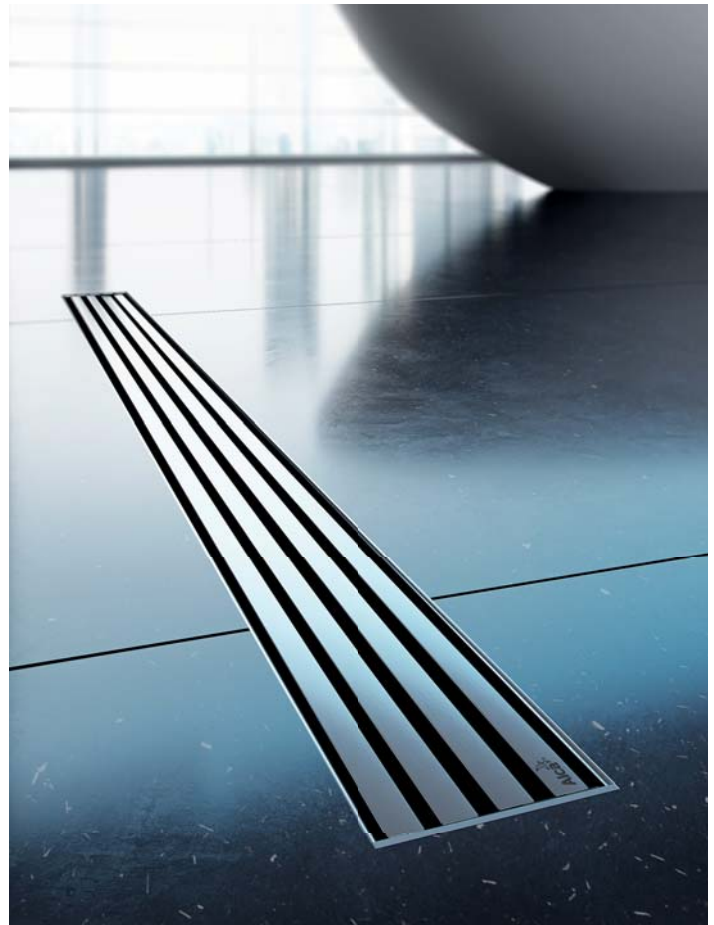
Quantity (packing) APZ1116-850	8 pcs
Dimensions (piece)	920×205×160 mm
Weight (piece)	4,3785 kg
EAN	8595580553296

**NEW**

13

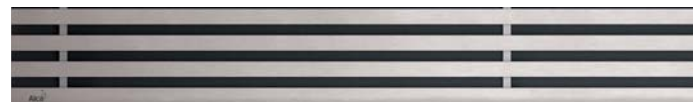
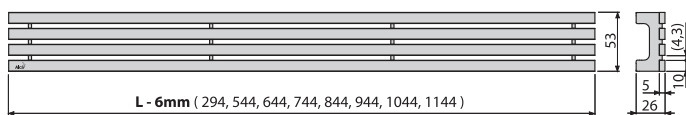
## Prismatic grid GAP

Current offer of the design grids for the range of linear shower drains APZ6 and APZ16 is newly extended to the prismatic grid GAP. The timeless design of this grid provides another great option for completing the look of your bathroom.



### GAP

Grid for shower drain, stainless steel-matt



Quantity (packing) GAP-850M	1 pcs
Dimensions (piece)	860×65×35 mm
Weight (piece)	1,6190 kg
EAN	8595580553876

## New height variant of mounting frames 1120 mm

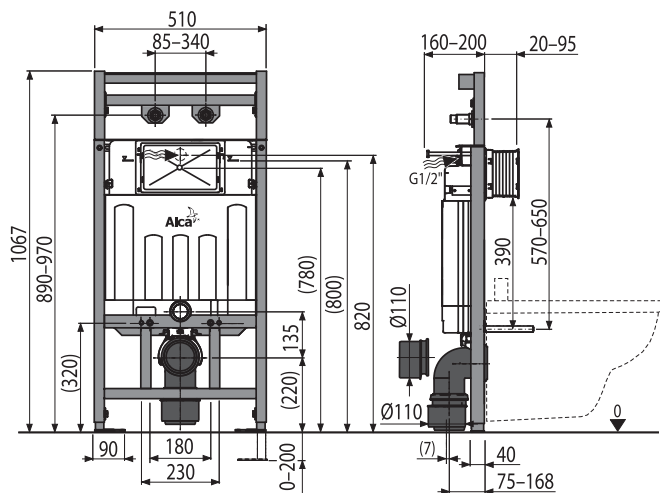
Following a series of innovated AM pre-wall installation systems we are expanding the range of mounting frames that are newly available with height 1 120 mm. The heights of the modules and the mounting frames are now fully compatible. All the traditional heights of the mounting frames 850, 1 000, 1 200 mm remain on offer.



**INNOVATION**

**A108F/1100**

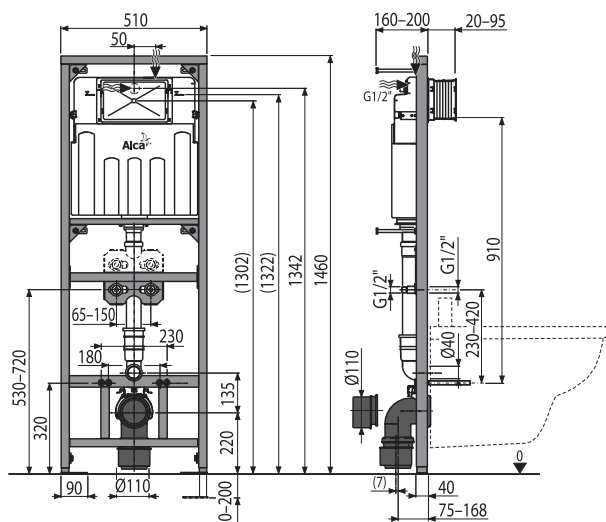
Mounting frame with cistern for a waste sink with waste connection DN90/110 and faucet



Quantity (packing) A108F/1100	1 pcs
Dimensions (piece)	1195×145×530 mm
Weight (piece)	15,8606 kg
EAN	8595580542139

**A108F/1500**

Mounting frame with cistern for a waste sink with waste connection DN90/110 and faucet

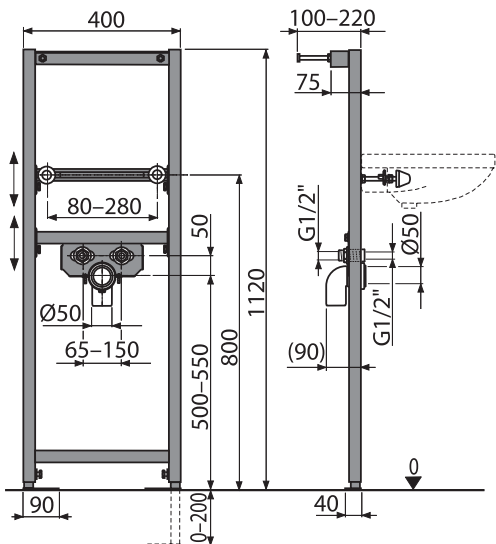


Quantity (packing) A108F/1500	1 pcs
Dimensions (piece)	1460×155×530 mm
Weight (piece)	17,3481 kg
EAN	8595580540517

**INNOVATION**

**A104/1120**

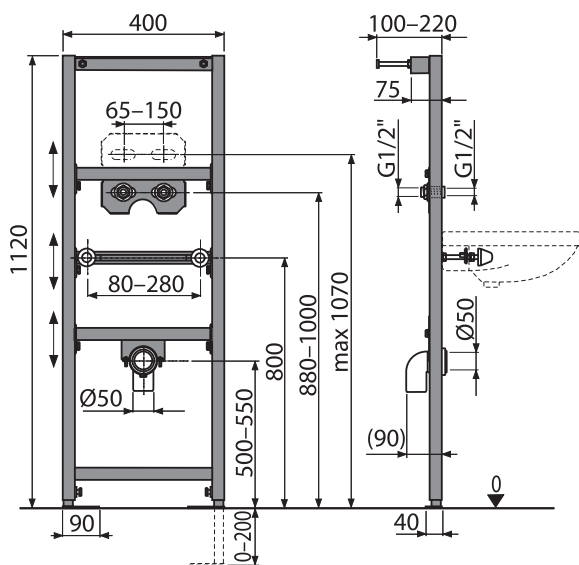
Mounting frame for wash-basin



Quantity (packing) A104/1120	1 pcs
Dimensions (piece)	1195x82x410 mm
Weight (piece)	5,4278 kg
EAN	8595580551544

**A104A/1120**

Mounting frame for wash-basin and faucet



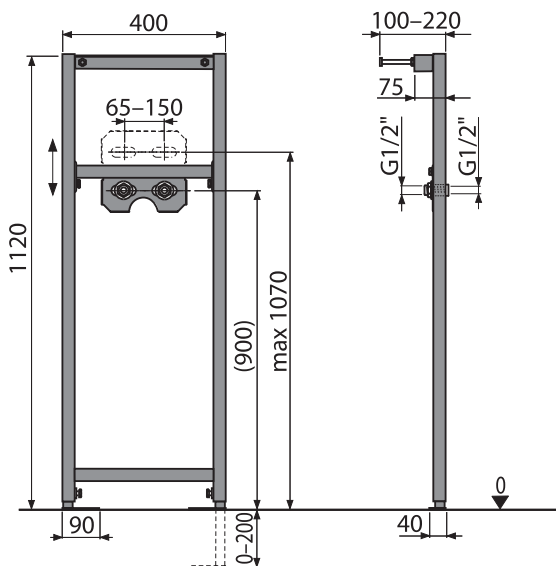
Quantity (packing) A104A/1120	1 pcs
Dimensions (piece)	1195x82x410 mm
Weight (piece)	6,228 kg
EAN	8595580552671



**INNOVATION**

**A104B/1120**

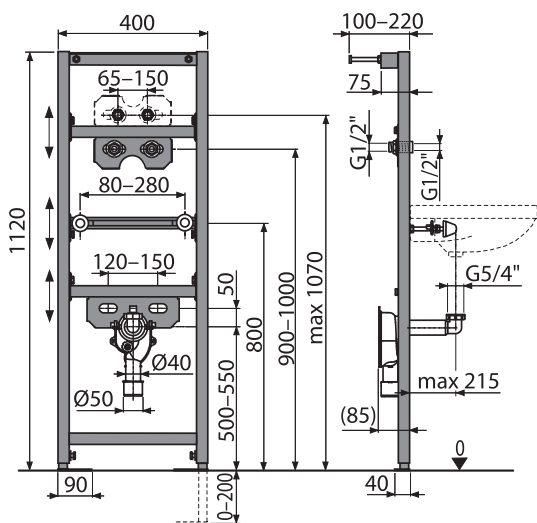
Mounting frame for faucet



Quantity (packing) A104B/1120	1 pcs
Dimensions (piece)	1195x82x410 mm
Weight (piece)	4,3765 kg
EAN	8595580552695

**A104AVS/1120**

Mounting frame for wash-basin and faucet with built-in trap

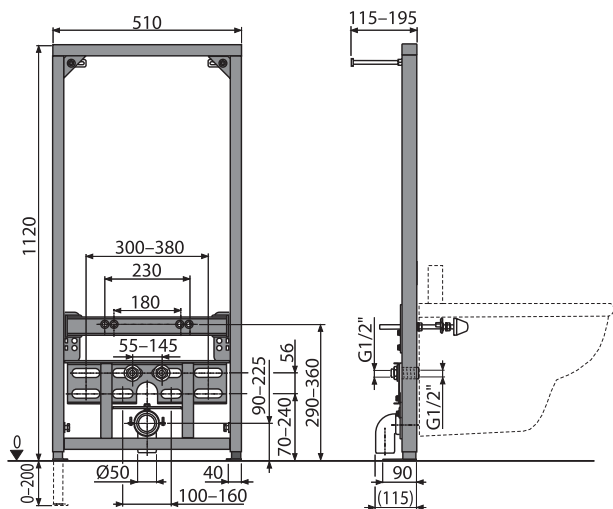


Quantity (packing) A104AVS/1120	1 pcs
Dimensions (piece)	1195x82x410 mm
Weight (piece)	6,614 kg
EAN	8595580552688

**INNOVATION**

**A105/1120**

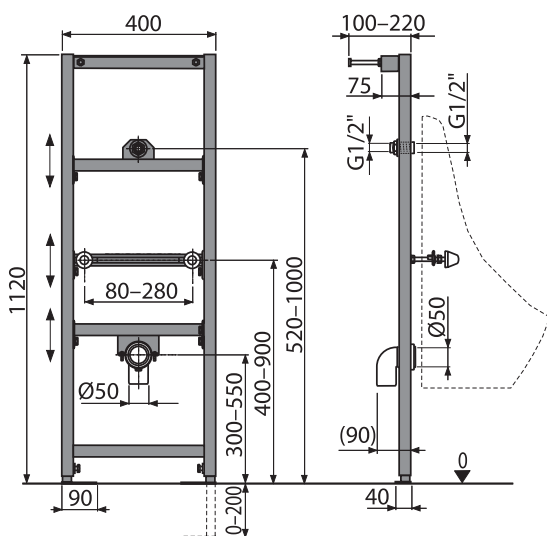
Mounting frame for bidet



Quantity (packing) A105/1120	1 pcs
Dimensions (piece)	1190×90×523 mm
Weight (piece)	11,8373 kg
EAN	8595580552701

**A107/1120**

Mounting frame for urinal

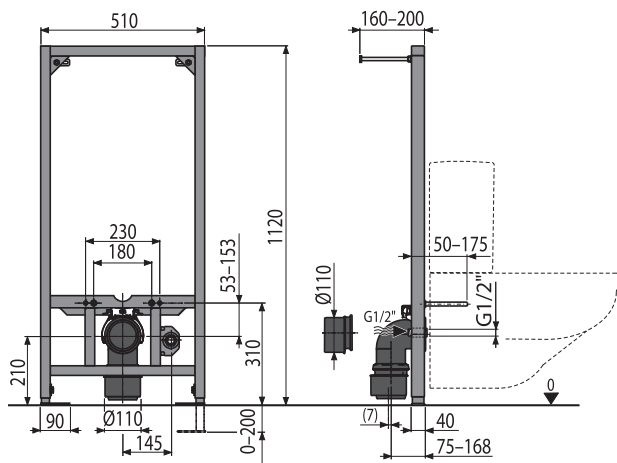


Quantity (packing) A107/1120	1 pcs
Dimensions (piece)	1195×82×410 mm
Weight (piece)	5,8706 kg
EAN	8595580552725

**INNOVATION**

**A113/1120**

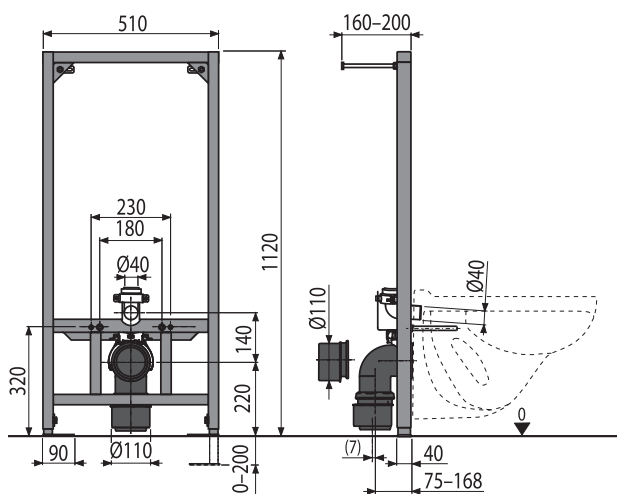
Mounting frame for wall-hung WC combi



Quantity (packing) A113/1120	1 pcs
Dimensions (piece)	1195×145×530 mm
Weight (piece)	11,1765 kg
EAN	8595580552732

**A114/1120**

Mounting frame for wall-hung WC

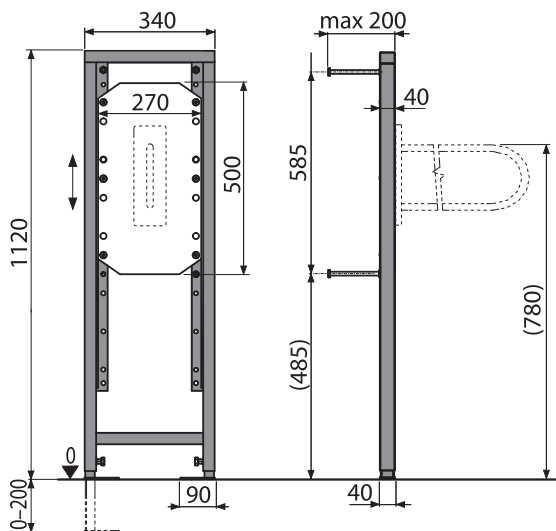


Quantity (packing) A114/1120	1 pcs
Dimensions (piece)	1195×145×530 mm
Weight (piece)	11,3765 kg
EAN	8595580552749

**INNOVATION**

**A106/1120**

Mounting frame for handle



Quantity (packing) A106/1120	1 pcs
Dimensions (piece)	1195x410x82 mm
Weight (piece)	11,2151 kg
EAN	8595580552718

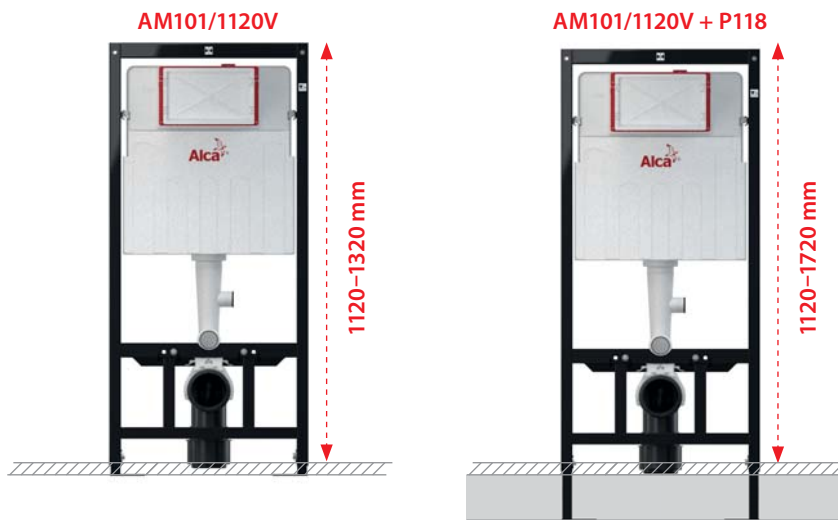
**NEW**

21

## Prolonged legs P118 for pre-wall installation systems

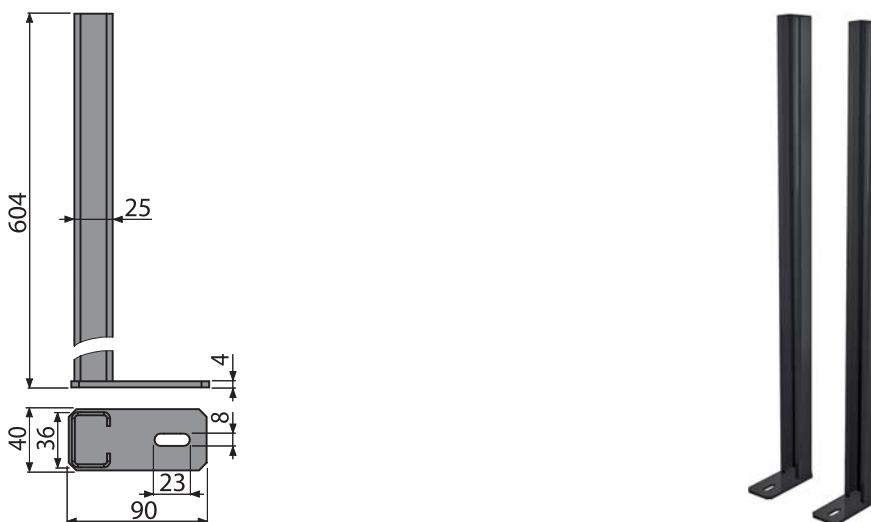
Application:

- to increase the height of the pre-wall installation system
- for buildings with greater thermal insulation layer



### P118

Prolonged legs for pre-wall installation systems



Quantity (packing) P118	1 pcs
Dimensions (piece)	600x100x100 mm
Weight (piece)	1,9314 kg
EAN	8595580551629

**NEW**

22

## Cover plate for pre-wall installation systems P120

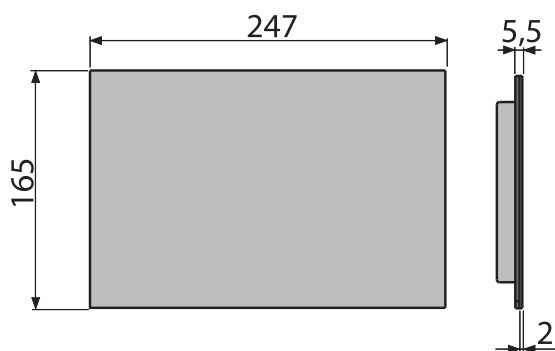
Application:

– for covering the service opening if remote pneumatic flushing of pre-wall installation systems is used



### P120

Cover plate for pre-wall installation systems, alunox-matt



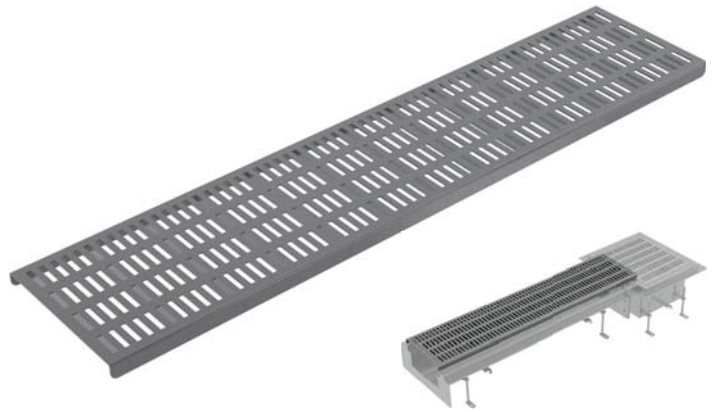
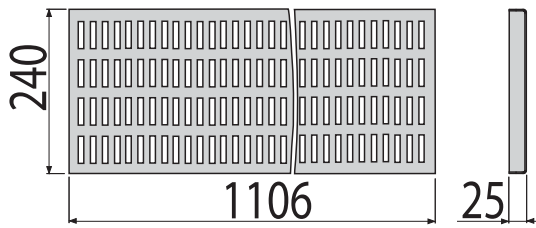
Quantity (packing) P120	25 pcs
Dimensions (piece)	255x85x175 mm
Weight (piece)	0,5111 kg
EAN	8595580552367

**NEW**

23

**APR1-1134**

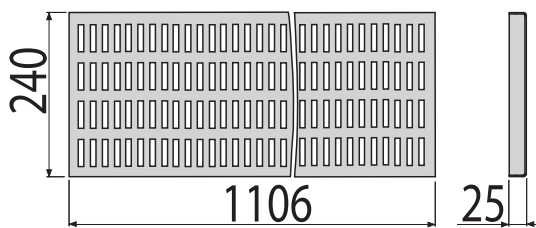
Cover grating for industrial drain APR1 with inlet stainless steel  
AISI 304



Quantity (packing) APR1-1134	1 pcs
Dimensions (piece)	1106×240×25 mm
Weight (piece)	5,32 kg
EAN	8595580552374

**APR1-1234**

Cover grating for industrial drain APR1 with inlet stainless steel  
AISI 316L



Quantity (packing) APR1-1234	1 pcs
Dimensions (piece)	1106×240×25 mm
Weight (piece)	5,32 kg
EAN	8595580552381

**NEW**

24

## Product catalogue 2017

We have prepared an updated **Product catalogue 2017**. It contains all product novelties and innovations, including those to which you can look forward to this year. To download the electronic version go to [www.alcaplast.com](http://www.alcaplast.com).



## Spare part catalogue 2017

To download the electronic version go to [www.alcaplast.com](http://www.alcaplast.com).





The ALCAPLAST team of specialists is always on hand to help with design, installation and quote project prices!

Czech product  
ISO 9001:2008



# Alca PLAST<sup>®</sup>

CZECH REPUBLIC

---

Alca plast, s. r. o.  
Bratislavská 2846, 690 02 Breclav  
tel.: +420 519 821 117 – Sales Dept. CZ  
tel.: +420 519 821 041 – Export Dept.  
fax: +420 519 821 083  
alcaplast@alcaplast.com  
**www.alcaplast.com**